

# Technical data sheet



## Product features

### Boiling kettle gas indirect autoclave 150 l

<b>Model</b>	<b>SAP Code</b>	00015049
--------------	-----------------	----------

- Device type: Gas unit
- Device heating type: Indirect
- Ignition: Electric
- Steam pressure regulation: Mechanical - the valve releases steam at high pressure
- Filling: Mechanical cock
- Jacket filling: Semi-automatic
- Drain valve diameter: 2"
- Usable volume [l]: 150

<b>SAP Code</b>	00015049	<b>Power gas [kW]</b>	22.500
<b>Net Width [mm]</b>	800	<b>Type of gas</b>	Natural gas, propane butane
<b>Net Depth [mm]</b>	900	<b>Usable volume [l]</b>	150
<b>Net Height [mm]</b>	900	<b>Device heating type</b>	Indirect
<b>Net Weight [kg]</b>	150.00	<b>Steam pressure regulation</b>	Mechanical - the valve releases steam at high pressure

# Technical data sheet



Technical drawing

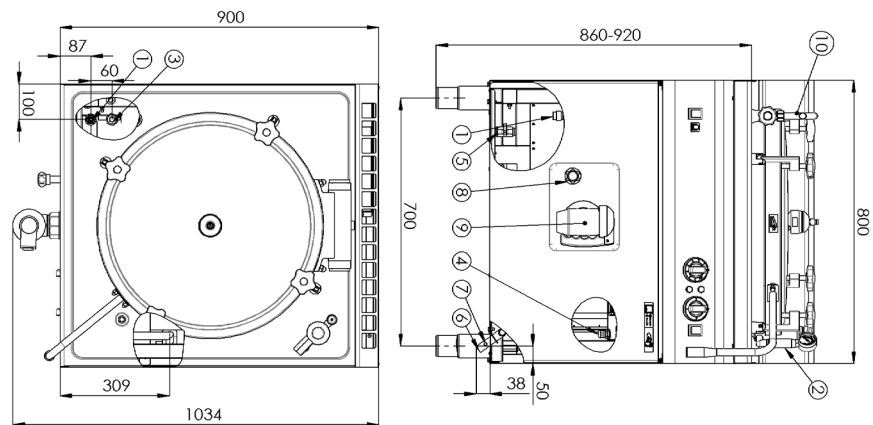
## Boiling kettle gas indirect autoclave 150 l

Model

SAP Code

00015049

1 - PŘÍVOD STUDENÉ VODY	6 - PŘÍVOD PLYNU
2 - POJISTNÝ VENTIL + MONOMETER	7 - MÍSTO KONTROLY VSTUPNÍHO TLAKU PLYNU
3 - PŘÍVOD ZMĚKČE VODY	8 - KONTROLNÍ KOHOUT HLADINY DUKLÁTORU
4 - PŘÍVOD NAPĚTÍ 230V	9 - VYPUSŤEČÍ KOHOUT DUKLÁTORU
5 - VYPUSŤEČÍ KOHOUT DUKLÁTORU	10 - NAPUSŤEČÍ BATERIE



# Technical data sheet



## Technical parameters

### Boiling kettle gas indirect autoclave 150 l

<b>Model</b>	<b>SAP Code</b>	00015049
--------------	-----------------	----------

**1. SAP Code:**

00015049

**2. Net Width [mm]:**

800

**3. Net Depth [mm]:**

900

**4. Net Height [mm]:**

900

**5. Net Weight [kg]:**

150.00

**6. Gross Width [mm]:**

840

**7. Gross depth [mm]:**

970

**8. Gross Height [mm]:**

1160

**9. Gross Weight [kg]:**

165.00

**10. Device type:**

Gas unit

**11. Construction type of device:**

Stationary

**12. Power gas [kW]:**

22.500

**13. Ignition:**

Electric

**14. Type of gas:**

Natural gas, propane butane

**15. Protection of controls:**

IPX4

**16. Material:**

AISI 304 top plate, AISI 430 cladding

**17. Indicators:**

operation and warm-up

**18. Drain valve diameter:**

2"

**19. Worktop type:**

Molded - comfortable cleaning maintenance

**20. Worktop material:**

AISI 304

**21. Worktop Thickness [mm]:**

1.50

**22. Device heating type:**

Indirect

**23. Volume capacity of the container [l]:**

150.00

**24. Maximum device temperature [°C]:**

90

**25. Minimum device temperature [°C]:**

30

**26. Safety thermostat:**

Yes

**27. Safety thermostat up to x ° C:**

150

**28. Adjustable feet:**

Yes

# Technical data sheet



Technical parameters

## Boiling kettle gas indirect autoclave 150 l

Model

SAP Code

00015049

**29. Bottom material:**

AISI 316

**34. Type of drain valve:**

conical

**30. Usable volume [l]:**

150

**35. Manometer:**

Yes

**31. Filling:**

Mechanical cock

**36. Connection to a ball valve:**

1/2

**32. Jacket filling:**

Semi-automatic

**37. Water supply connection:**

1/2"

**33. Steam pressure regulation:**

Mechanical - the valve releases steam at high pressure